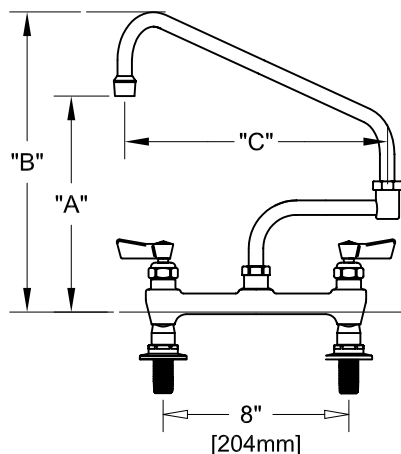
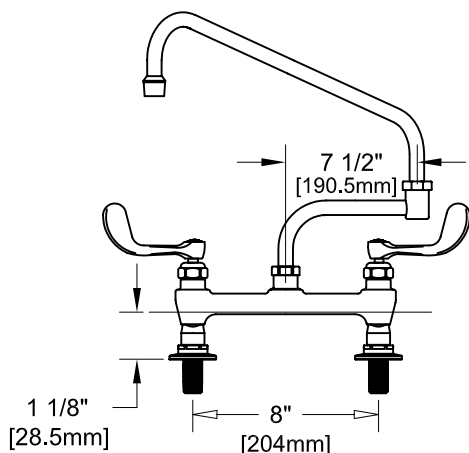


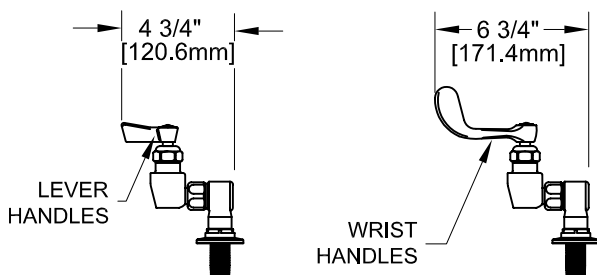
8" DECKMOUNT FAUCET W/ LEVER HANDLES



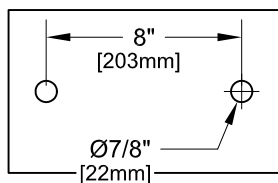
8" DECKMOUNT FAUCET W/ WRIST HANDLES



SIDE VIEW:



ROUGH-IN:



PRODUCT NAME: STAINLESS STEEL  
8" DECK MOUNT FAUCETS

MODEL:

- 57703 W/ 6" SWING SPOUT W/ 7" DJ & LEVER HANDLES
- 57711 W/ 8" SWING SPOUT W/ 7" DJ & LEVER HANDLES
- 57738 W/ 10" SWING SPOUT W/ 7" DJ & LEVER HANDLES
- 57746 W/ 12" SWING SPOUT W/ 7" DJ & LEVER HANDLES
- 57754 W/ 14" SWING SPOUT W/ 7" DJ & LEVER HANDLES
- 57762 W/ 16" SWING SPOUT W/ 7" DJ & LEVER HANDLES
- 57894 W/ 6" SWING SPOUT W/ 7" DJ & WRIST HANDLES
- 57908 W/ 8" SWING SPOUT W/ 7" DJ & WRIST HANDLES
- 57916 W/ 10" SWING SPOUT W/ 7" DJ & WRIST HANDLES
- 57924 W/ 12" SWING SPOUT W/ 7" DJ & WRIST HANDLES
- 57932 W/ 14" SWING SPOUT W/ 7" DJ & WRIST HANDLES
- 57940 W/ 16" SWING SPOUT W/ 7" DJ & WRIST HANDLES

FEATURES

CONTROL VALVE

- \* 8" DECK MOUNT
- \* STAINLESS STEEL CONSTRUCTION
- \* SWIVELLING SEAT DISKS
- \* HOT SIDE STEM - RIGHT HAND
- \* COLD SIDE STEM - LEFT HAND
- \* LEVER HANDLES OR WRIST HANDLES
- \* SWING SPOUT

SYSTEM LIMITS

- \* TEMP: 40°F MIN. TO 140°F MAX.

SHIPPING WEIGHT

- \* 6.0 LBS

\* NSF 61-9 APPROVED & LISTED

[www.truesdail.com](http://www.truesdail.com)

MODELS	DIM "A"	DIM "B"	DIM "C"
57703 57894	5-3/4" [146.05mm]	9-3/8" [244.48mm]	6" [152mm]
57711 57908	6-7/16" [163.51mm]	10-1/16" [255.58mm]	8" [204mm]
57738 57916	7-1/16" [179.38mm]	10-11/16" [271.46mm]	10" [254mm]
57746 57924	7-3/4" [196.85mm]	11-3/8" [295.27mm]	12" [305mm]
57754 57932	8-5/16" [211mm]	11-15/16" [303.21mm]	14" [356mm]
57762 57940	9" [228.6mm]	12-9/16" [319.08mm]	16" [406mm]



FISHER MANUFACTURING COMPANY

TOLL FREE: 800-421-6162 - FAX: 800-832-8238

[information@fisher-mfg.com](mailto:information@fisher-mfg.com) - [www.fisher-mfg.com](http://www.fisher-mfg.com)