

# 1

### Installation:

Thoroughly flush out the system before installing valve. It is recommended that isolating valves be installed both upstream and downstream to ease in servicing the valve. Install in an accessible location and orient the valve to correspond with the direction of flow (indicated by arrow on the Valve Body)(Fig. 1). Avoid stressing the valve by ensuring that inlet and outlet pipework are properly supported and aligned.

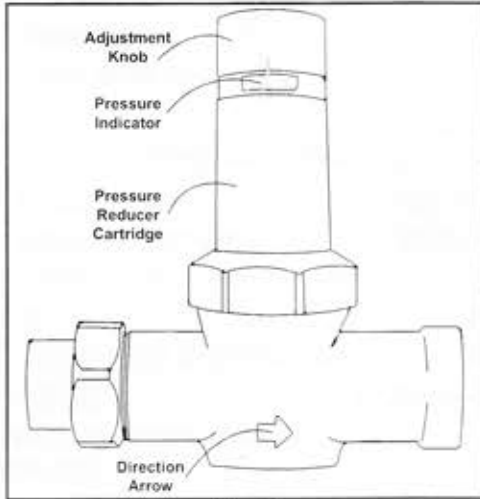


Fig. 1

# 2

### Viewing Pressure Indicator:

If necessary, the Pressure Reducer Cartridge can be rotated to best view the Pressure Indicator. The outlet pressure is factory preset to the value indicated by the Pressure Indicator. The Pressure Indicator will display approximate outlet pressure. (Fig. 2)

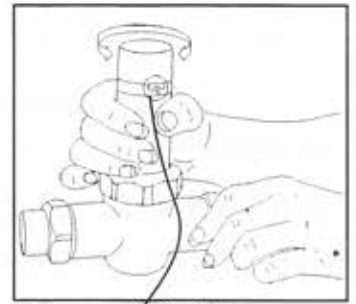
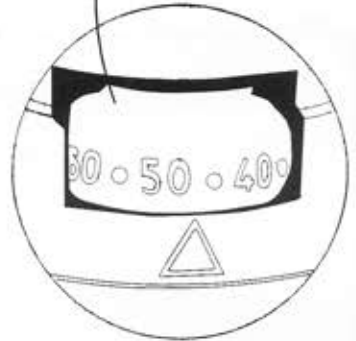


Fig. 2



### IMPORTANT!

Do not turn pressure indicator to adjust outlet pressure

# 3

### Pressure Adjustment:

To adjust outlet pressure, pull the **ORANGE Adjustment Knob** upward (Fig.3) then turn counter clockwise (-) to decrease pressure or clockwise (+) to increase pressure. (Fig. 4) Snap the knob back down to lock its position after adjusting. (Fig.5)

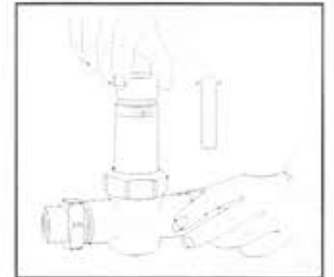


Fig. 3



Fig. 4

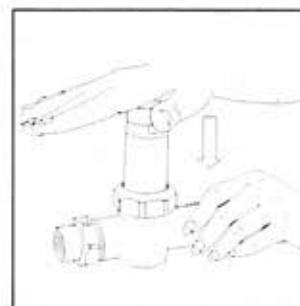
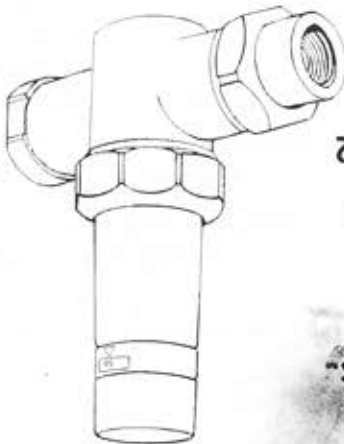


Fig. 5

Please turn over for additional instructions.



A division of the Reliance Worldwide Corporation



1-877-700-4242

www.cashacme.com  
Cullman, Al 35055  
2400 7th Ave. SW,



For Water Service, with Bronze or Stainless Steel Body and Inbuilt Back-Pass-Check

Type EB25, EB25-SS & EB25-400  
PRESSURE REDUCING VALVE

# SoloSet

TM

# 4

## Maintenance:

Close isolating valves upstream and downstream before attempting to service the valve. Unscrew the

Cartridge Nut. (Fig. 6 and Fig. 7)

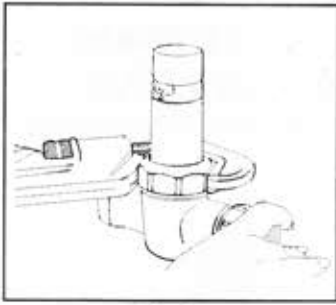


Fig. 6

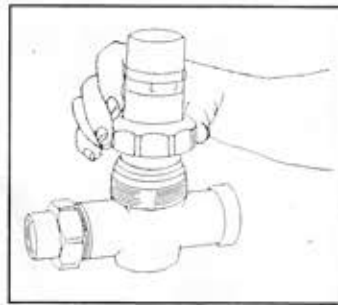


Fig. 7

Remove the Pressure Reducer Cartridge by pulling straight up. (Fig. 8) Clean with cold water only. Replace the Strainer Screen before re-installing the Pressure Reducer Cartridge. (Fig. 9) Orient the Pressure Reducer Cartridge to best view indicator.



Fig. 8



Fig. 9

## Performance:

### Outlet pressure range:

EB25 ..... 8-35 or 20-90 psi

EB25-400 & EB25-SS ..... 20-90 psi

Maximum temperature ..... 180° F

### Maximum initial pressure:

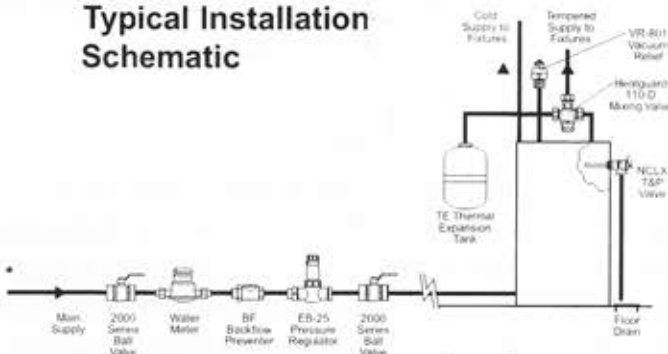
EB25 & EB25SS ..... 300 psi

EB25-400 ..... 400 psi

EB25 Multi-Cartridge .. 250 psi

Service ..... Water

## Typical Installation Schematic



### California "Proposition 65" Warning:

This product contains a chemical known to the State of California to cause cancer, birth defects or other reproductive harm.

Note to Installer/Contractor: California law requires that this notice be provided to the consumer/end user of this product.

# 5

## Burial Instructions (Optional Cover)

Available for sizes 1/2", 3/4" & 1" only:

Burial Depth should be in accordance with local plumbing codes.

After valve is installed, reset pressure if necessary, (see Operation Instructions). Make sure valve is clean of dirt and debris. Slip provided O-Ring over cartridge until seated against Cartridge Nut.

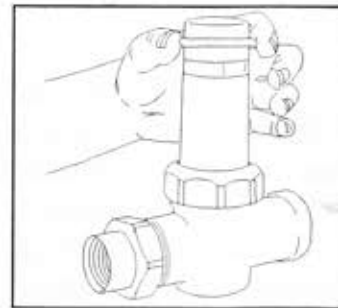


Fig. 10

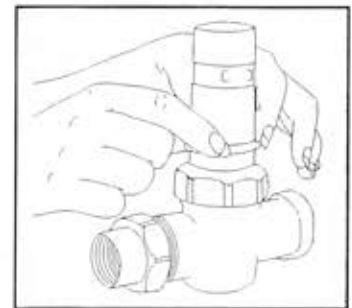


Fig. 11

Orient direct burial cover in such a way that it can be snapped into position. (Fig. 12 and 13)



Fig. 12

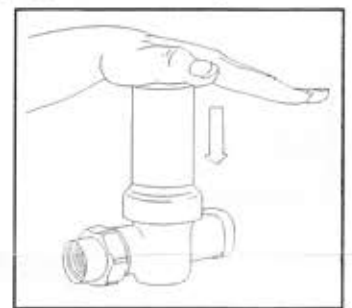
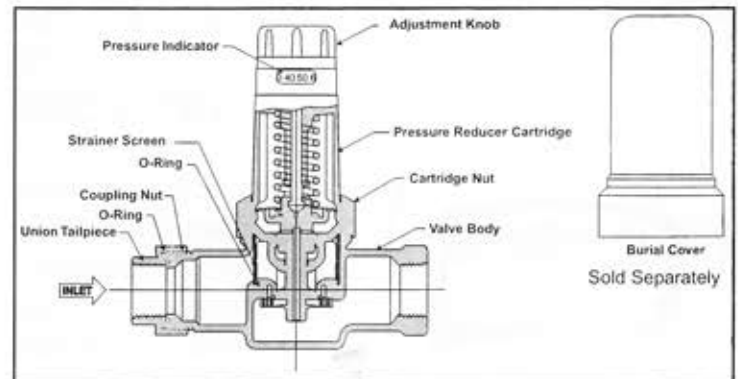


Fig. 13



10445 REV. B



## Type EB25, EB25-SS & EB25-400 PRESSURE REDUCING VALVE

For Water Service, with Bronze or Stainless Steel Body and Inbuilt Back-Pass-Check

2400 7th Ave. SW • Cullman, AL 35055 • www.cashacme.com