



# SHOWERHEAD

- 5-Spray Setting Showerhead
- Push Button Diverter

### FEATURES:

- H<sub>2</sub>Okinetic Technology® Showerhead
- Touch-Clean® Nozzles

### STANDARD SPECIFICATIONS:

- Maximum 1.75 gpm @ 80 psi, 6.6 L/min @ 550 kPa (52664▲)
- Maximum 2.0 gpm @ 80 psi, 7.6 L/min @ 550 kPa (52664-▲20)
- Change spray modes with push button
- ABS showerhead with five spray settings – not a positive shut-off
- Metal ball connector for durability, easy installation
- Ball connector swivel angle is 44° (22° per side)
- Standard 1/2"-14 NPT pipe fitting

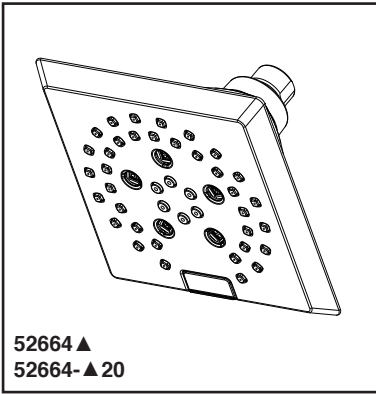
### WARRANTY

- Lifetime limited warranty on parts (other than electronic parts and batteries) and finishes: or, for commercial users, for 5 years from date of purchase.
- 5 year limited warranty on electronic parts (other than batteries); or, for commercial users, for 1 year from the date of purchase. No warranty is provided on batteries.



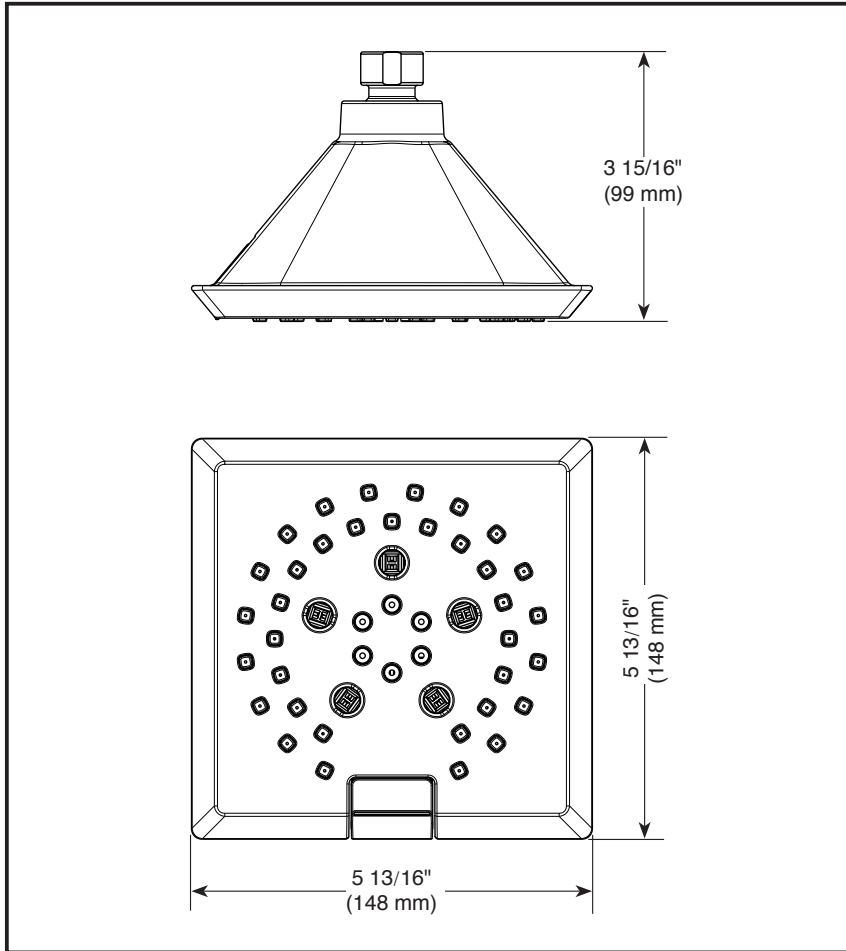
### COMPLIES WITH

- ASME A112.18.1 / CSA B125.1
- EPA WaterSense®



Submitted Model No.: \_\_\_\_\_

Specific Features: \_\_\_\_\_



▲ Designate proper finish suffix

### Spray Pattern



Delta reserves the right (1) to make changes in specifications and materials, and (2) to change or discontinue models, both without notice or obligation. Dimensions are for reference only. See current full-line price book or [www.deltafaucet.com](http://www.deltafaucet.com) for finish options and product availability.

DSP-B-52664 Rev. B



55 E. 111th Street, Indianapolis, Indiana 46280  
350 South Edgeware Road, St. Thomas, Ontario Canada N5P 4L1  
© 2016 Masco Corporation of Indiana