

# TINA BASIN

Cat. No.  
4-551



Faucet not included

W: 15<sup>3</sup>/<sub>4</sub>"  
D: 9<sup>3</sup>/<sub>4</sub>"  
H: 6<sup>3</sup>/<sub>4</sub>"  
Flange: 3" x 1<sup>1</sup>/<sub>2</sub>" deep

## Features:

- ▶ Made of Vitreous China
- ▶ 1-hole on right, standard
- ▶ Hole can be drilled on Left (Will Have 2 holes)
- ▶ Traditional style
- ▶ Mounting hardware included

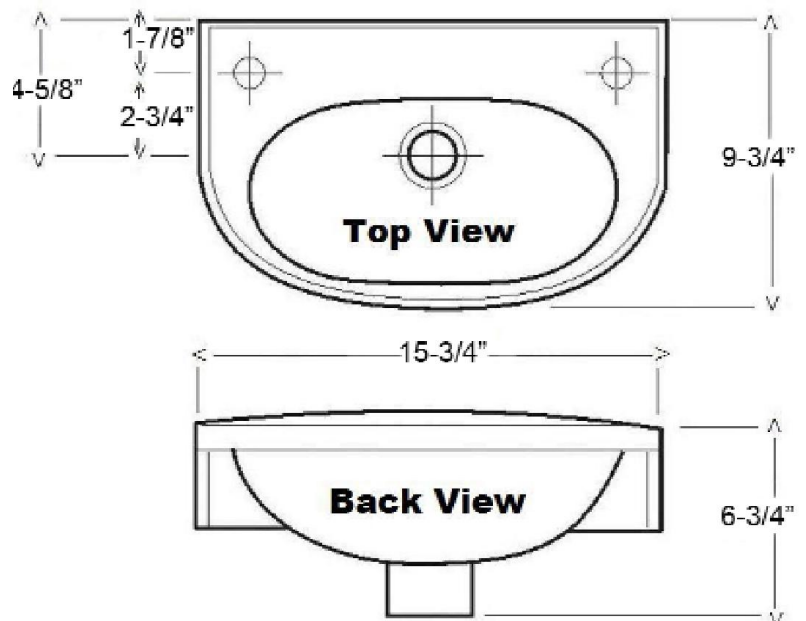
## Colors:

WH White  
BQ Bisque

**Compliance Certification**  
Meets or exceeds the following specifications: ASME 12.19.2.2013 for vitreous china fixtures.

## Interior Dimensions:

Basin Interior: 12" x 6"  
Basin Depth: 5-<sup>1</sup>/<sub>4</sub>"  
Spout hole: 1<sup>3</sup>/<sub>8</sub>"



Dimensions of fixture are nominal and may vary within the range of tolerances established by ASME Standard A112.19.2. Dimensions and specifications subject to change without notice.