

# COMPACT SLIM LINE BASIN

Cat. No.  
4X-561



W: 17-<sup>3</sup>/<sub>4</sub>"  
D: 8-<sup>1</sup>/<sub>2</sub>"  
H: 7-<sup>1</sup>/<sub>8</sub>"

Back of basin to center of faucet: 2"  
Back of basin to center of drain: 3"  
Mount bolts height: 30"  
Mount holes cc: 13-<sup>1</sup>/<sub>2</sub>"

## Interior Dimensions:

Basin Interior: 10-<sup>3</sup>/<sub>8</sub>"W x 6-<sup>3</sup>/<sub>8</sub>"D  
Basin Depth: 5-<sup>1</sup>/<sub>8</sub>"  
Spout hole: 1-<sup>3</sup>/<sub>8</sub>"

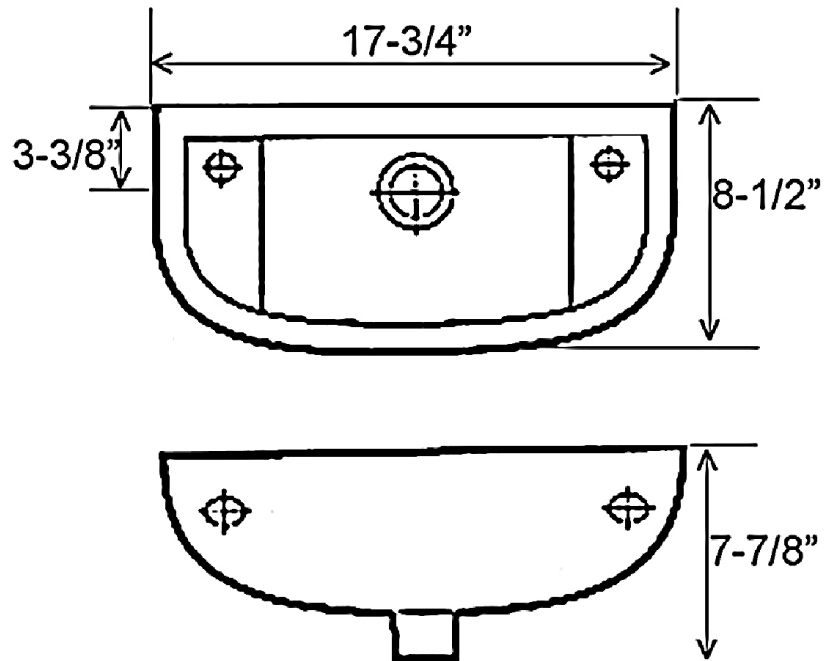
## Features:

- ▶ Made of Vitreous China
- ▶ Available with 1 hole on right or left
- ▶ Faucet hole diameter is 1-<sup>3</sup>/<sub>8</sub>"
- ▶ Pre-drilled overflow hole

## Colors:

WH White

Meets or exceeds the following specifications: ASME A112.19.2 2013 and CSA B45.1-08 for ceramic plumbing fixtures.



Dimensions of fixture are nominal and may vary within the range of tolerances established by ANSI Standard A112.19.2.2013 Dimensions and specifications subject to change without notice.