

INFINITY BASIN

Cat. No.
4-327



W: 21- $\frac{3}{4}$ "
D: 13"
H: 5- $\frac{1}{8}$ "
Flange: 2- $\frac{7}{8}$ "

Interior Dimensions:

Basin Interior: 18"W x 10"D
Basin Depth: 3- $\frac{1}{8}$ "

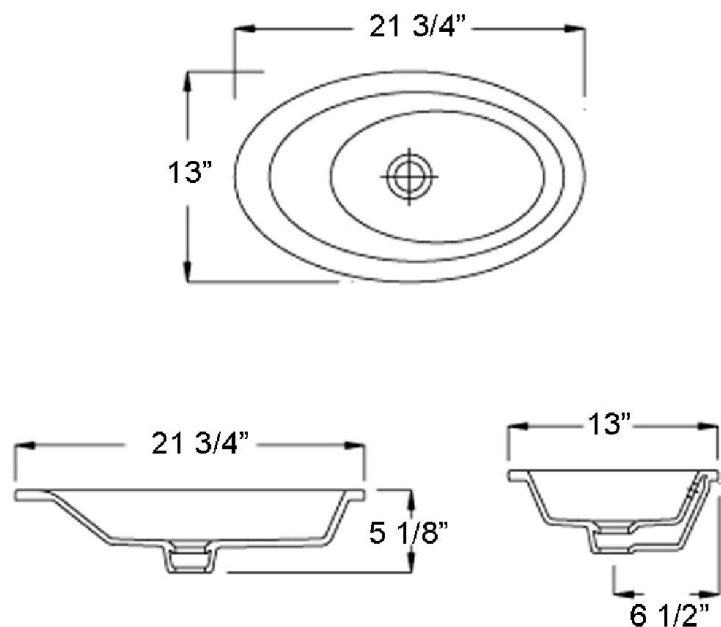
Features:

- ▶ For drop-in installation
- ▶ Made of Vitreous China
- ▶ No faucet holes
- ▶ Pre-drilled overflow hole
- ▶ Traditional style
- ▶ Stylish off-center bottom

Colors:

WH White

Compliance Certification
Meets or exceeds the following specifications: ASME A112.19.2 2013 and CSA B45.1-13 for ceramic plumbing fixtures.



Dimensions of fixture are nominal and may vary within the range of tolerances established by ASME Standard A112.19.2.2013 Dimensions and specifications subject to change without notice.