

CORONA BASIN

Cat. No.
4-465



W: 17- $\frac{1}{2}$ "
D: 14"
H: 7- $\frac{3}{8}$ "
Flange: 1- $\frac{3}{4}$ "

Features:

- ▶ Vitreous China
- ▶ Drop-in basin
- ▶ Pre-drilled overflow
- ▶ Graceful scalloped edging
- ▶ Traditional style
- ▶ IAPMO approved



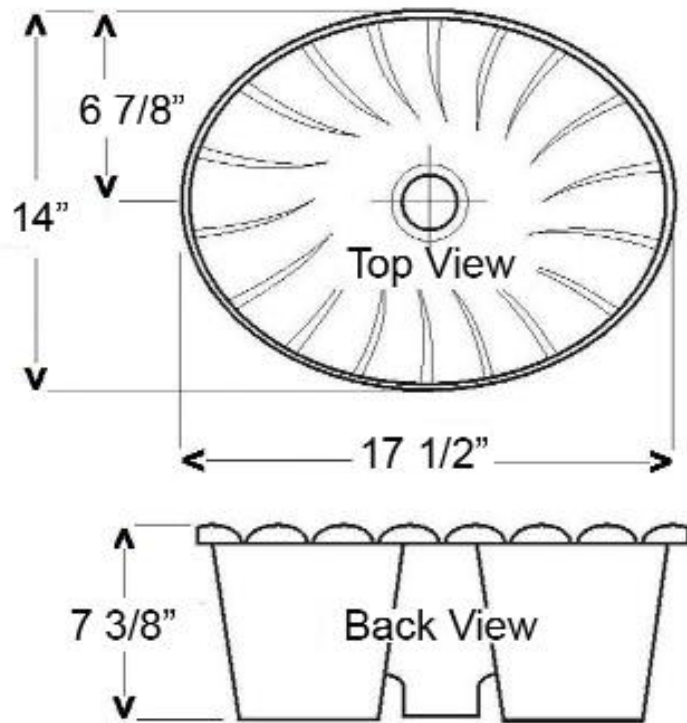
Colors:

WH White
BQ Bisque

Compliance Certification
Meets or exceeds the following specifications: ASME A112.19.2:2013 and CSA B45.1-13 for ceramic plumbing fixtures.

Interior Dimensions:

Basin Interior: 15- $\frac{1}{4}$ "W x 11- $\frac{1}{2}$ "D
Basin Depth: 5"



Dimensions of fixture are nominal and may vary within the range of tolerances established by ASME Standard A112.19.2.2013. Dimensions and specifications subject to change without notice.