

# DAISY ROUND VESSEL

Cat. No  
4-460



Diameter: 15"  
Above counter height: 5"

## Features:

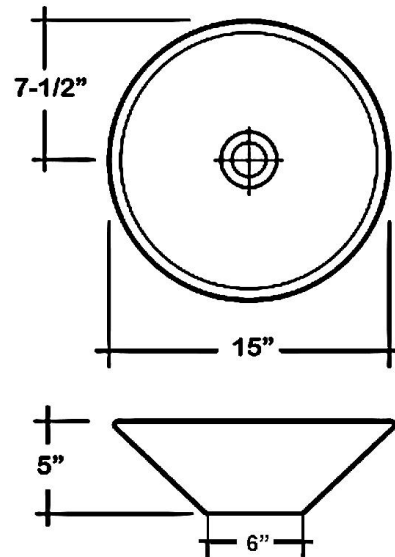
- ▶ Above counter basin
- ▶ Vitreous china for durability
- ▶ Chip and stain resistant
- ▶ Contemporary style
- ▶ No overflow
- ▶ To be use with Grid Drain #5601 or Umbrella Drain #UD701

**Compliance Certification**  
Meets or exceeds the following specifications: ASME A112.19.2 2013 and CSA B45.1-13 for ceramic plumbing fixtures.

## Colors:

WH White

**\*Please do NOT drill hole without template or actual product.**



## Interior Dimensions:

Basin Interior: 14-1/4"  
Basin Depth: 4-3/4"

Dimensions of fixture are nominal and may vary within the range of tolerances established by AMSE Standard A112.19.2.2013 Dimensions and specifications subject to change without notice.