

STANFORD 550 PEDESTAL LAVATORY

Cat. No.
3-86X



Faucet not included

W: 21³/₄"
D: 17¹/₈"
Total Height: 35¹/₂"
Height to top of the sink: 33"
Flange: 1⁵/₈"

Interior Dimensions:

Basin Interior: 17³/₄" x 10"
Basin Depth: 6"
Mount bolts height: 31¹/₈"
Mount holes cc: 8¹/₄"
Faucet and spout holes: 1³/₈"

Features:

- ▶ Made of Vitreous China
- ▶ Available for 4" centerset or 8" Widespread
- ▶ Can be installed using toggle or molly bolts (not included)
- ▶ Pre-drilled overflow hole
- ▶ IAPMO certified
- ▶ For ease installation order **Hangers** (pair) or **Bracket** (one)

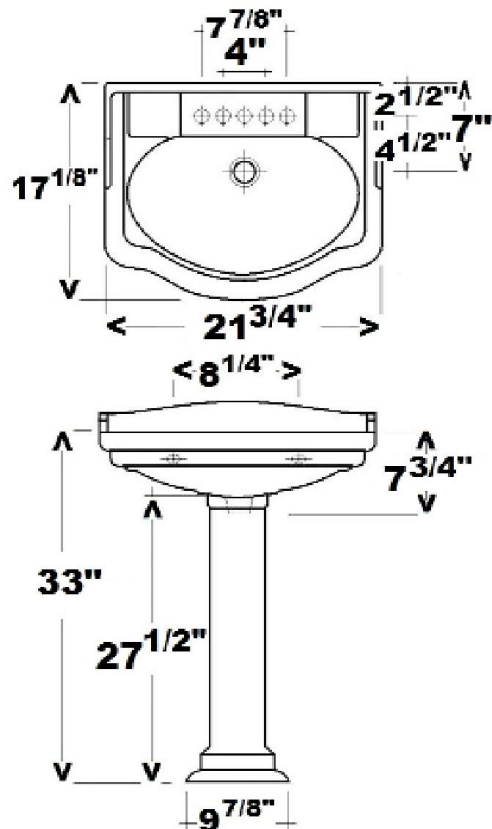


Colors:

WH White
BQ Bisque

Compliance Certification

Meets or exceeds the following specifications: ASME A112.19.2 2013 and CSA B45.1-13 for ceramic plumbing fixtures.



Dimensions of fixture are nominal and may vary within the range of tolerances established by ASME Standard A112.19.2-2013. Dimensions and specifications subject to change without notice.