

**33" CHANDRA SINGLE  
BOWL FARMER SINK**

Cat. No  
FSMSB5050



W: 33"  
D: 20"  
H: 10"

**\*Please do NOT cut hole without  
template or actual product.**

**Interior Bowl Dimensions:**

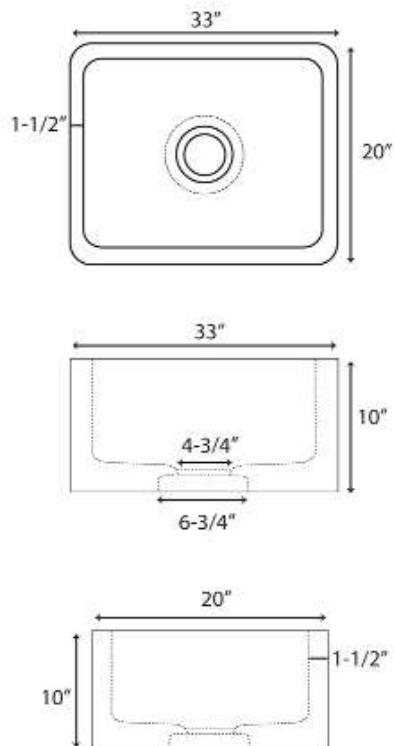
Basin Interior: 30" W x 17" D  
Basin Depth: 8½"

**Features:**

- ▶ Handcrafted from natural marble
- ▶ Each sink has naturally unique markings on the marble
- ▶ 3½" drain opening
- ▶ Drain sold separately
- ▶ Flange extension required

**Colors:**

**MPGA** Polished Galala Marble



Dimensions of fixture are nominal and may vary within the range of tolerances established by ANSI Standard A112.19.2. Dimensions and specifications subject to change without notice.