

**30" CHANDRA SINGLE
BOWL FARMER SINK**

Cat. No
FSMSB5044



W: 30"
D: 20"
H: 10"

***Please do NOT cut hole without
template or actual product.**

Interior Bowl Dimensions:

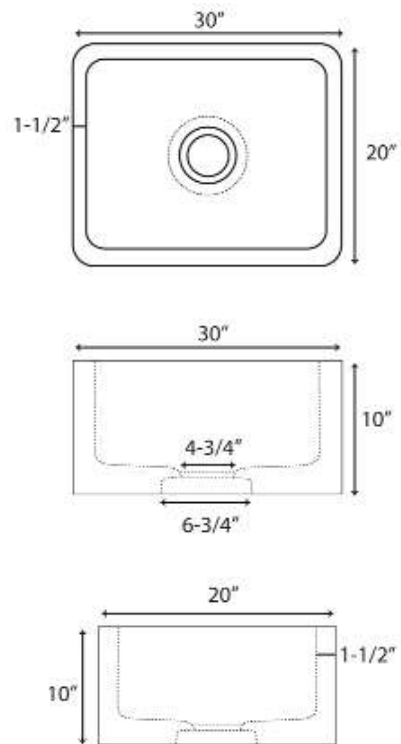
Basin Interior: 27" W x 17" D
Basin Depth: 8½"

Features:

- ▶ Handcrafted from natural marble
- ▶ Each sink has naturally unique markings on the marble
- ▶ 3½" drain opening
- ▶ Drain sold separately
- ▶ Flange extension required

Colors:

MPGA Polished GalalaMarble



Dimensions of fixture are nominal and may vary within the range of tolerances established by ANSI Standard A112.19.2. Dimensions and specifications subject to change without notice.