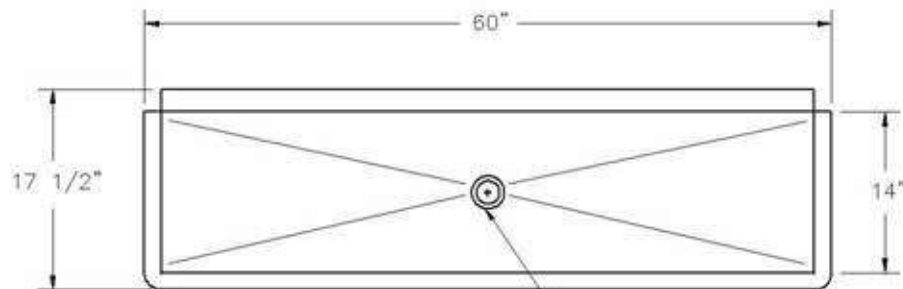


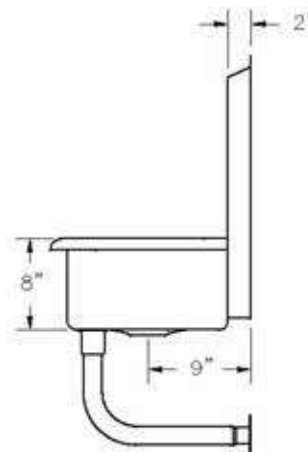
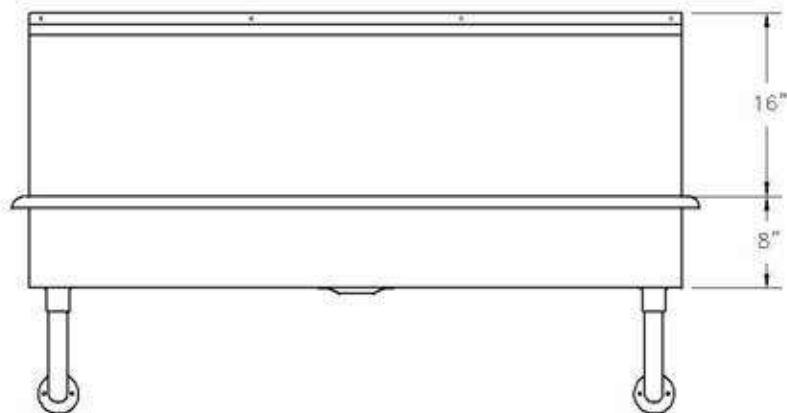


16 GA T304 STAINLESS  
 16 GA T304 1-5/8" O.D. TUBULAR SUPPORTS  
 ADJ. FLANGED SUPPORT w/MOUNTING HOLES

12 GA STAINLESS STEEL FLANGE WITH #4 SATIN FINISH  
 (2) 11/32" DIAMETER MOUNTING HOLES, 2-1/2" OC  
 3-1/2" DIAMETER FLANGE  
 1-1/2" TALL WITH 1-1/8" ADJUSTMENT FOR LEVELING



2" DIA. DIE-STAMPED DRAIN OPENING  
 1-1/2" IPS WA-151 STRAINER DRAIN PROVIDED



WILLS POINT, TEXAS

TITLE	CLIENT	REV	MATERIAL AS LISTED	DRAWN BY
		SIZE		
TU-600		A		JGRIFFIN
		DWG NO.		
		SCALE		
<input checked="" type="checkbox"/> NON-RETURNABLE <input checked="" type="checkbox"/> SIGNATURE REQUIRED				

SIGNATURE: \_\_\_\_\_ DATE: \_\_\_\_\_

LIMITED WARRANTY PLEASE SEE CLEANING INSTRUCTIONS SUPPLIED WITH YOUR PRODUCT