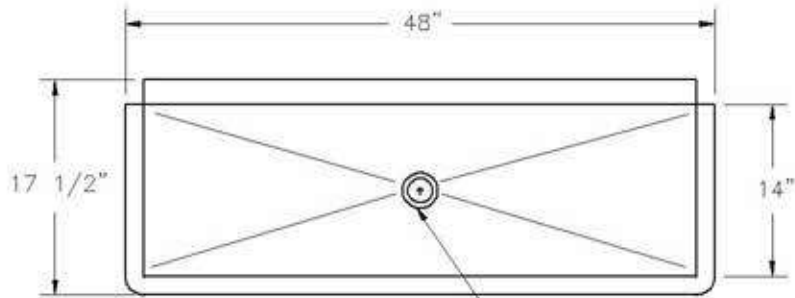


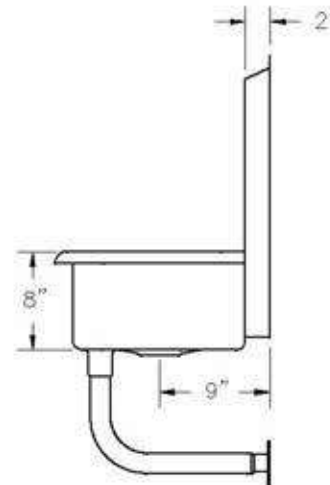
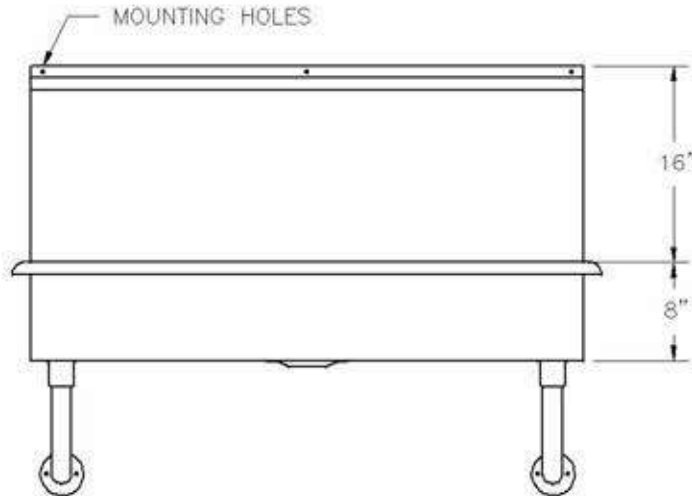


16 GA T304 STAINLESS
 16 GA T304 1-5/8" O.D. TUBULAR SUPPORTS
 ADJ. FLANGED SUPPORT w/MOUNTING HOLES

12 GA STAINLESS STEEL FLANGE WITH #4 SATIN FINISH
 (2) 11/32" DIAMETER MOUNTING HOLES, 2-1/2" OC
 3-1/2" DIAMETER FLANGE
 1-1/2" TALL WITH 1-1/8" ADJUSTMENT FOR LEVELING



2" DIA. DIE-STAMPED DRAIN OPENING
 1-1/2" IPS WA-151 STRAINER DRAIN PROVIDED



WILLS POINT, TEXAS

TITLE	CLIENT	REV	MATERIAL	DRAWN BY
		AS LISTED		
TU-480		DWG NO.		
SIZE	A	SCALE		DATE

- NON-RETURNABLE
- SIGNATURE REQUIRED

SIGNATURE: _____ DATE: _____

LIMITED WARRANTY PLEASE SEE CLEANING INSTRUCTIONS SUPPLIED WITH YOUR PRODUCT