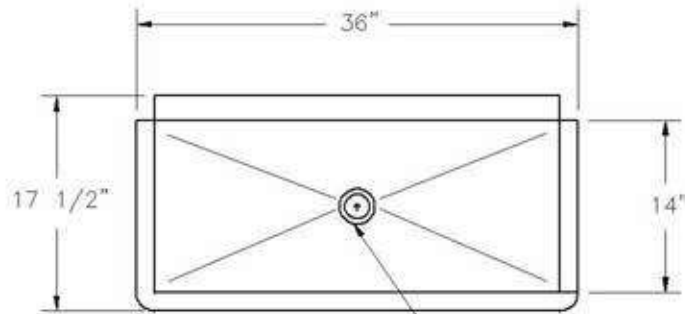


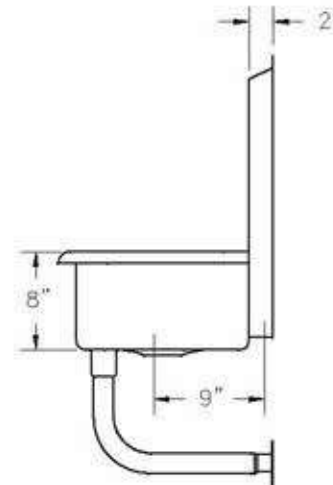
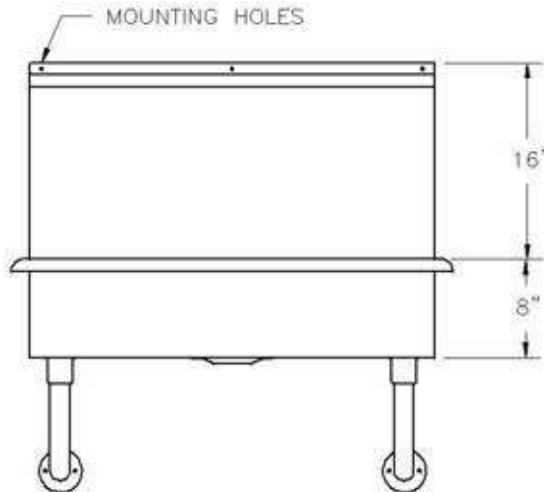


16 GA T304 STAINLESS
 16 GA T304 1-5/8" O.D. TUBULAR SUPPORTS
 ADJ. FLANGED SUPPORT w/MOUNTING HOLES



2" DIA. DIE-STAMPED DRAIN OPENING
 1-1/2" IPS WA-151 STRAINER DRAIN PROVIDED.

12 GA STAINLESS STEEL FLANGE WITH #4 SATIN FINISH
 (2) 1 1/32" DIAMETER MOUNTING HOLES, 2-1/2" OC
 3-1/2" DIAMETER FLANGE
 1-1/2" TALL WITH 1-1/8" ADJUSTMENT FOR LEVELING



WILLS POINT, TEXAS

TITLE TU-360	CLIENT	REV	MATERIAL AS LISTED	DRAWN BY J.GRIFFIN
		SIZE A		
		SCALE		DATE

- NON-RETURNABLE
- SIGNATURE REQUIRED

SIGNATURE: _____ DATE: _____

LIMITED WARRANTY PLEASE SEE CLEANING INSTRUCTIONS SUPPLIED WITH YOUR PRODUCT